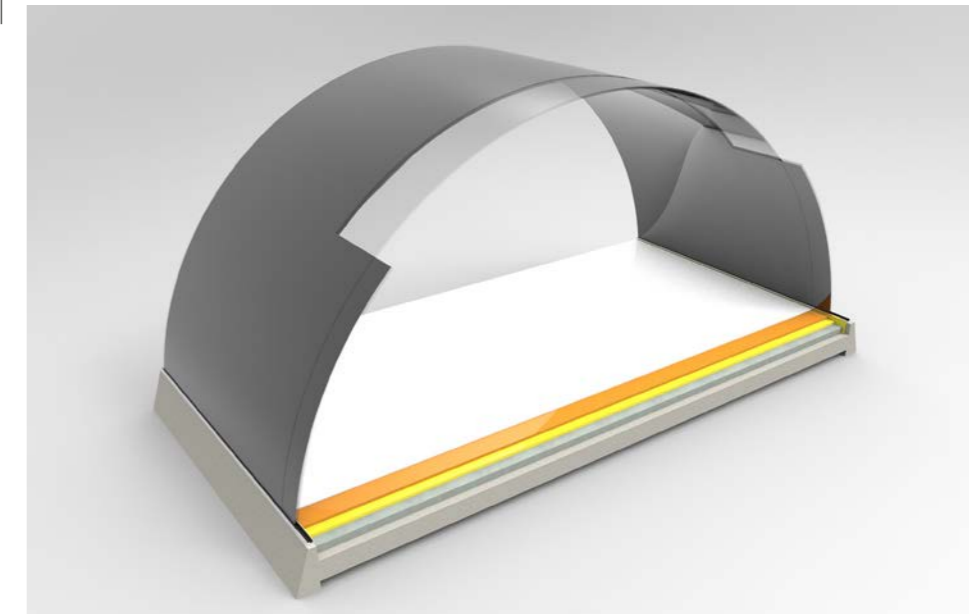
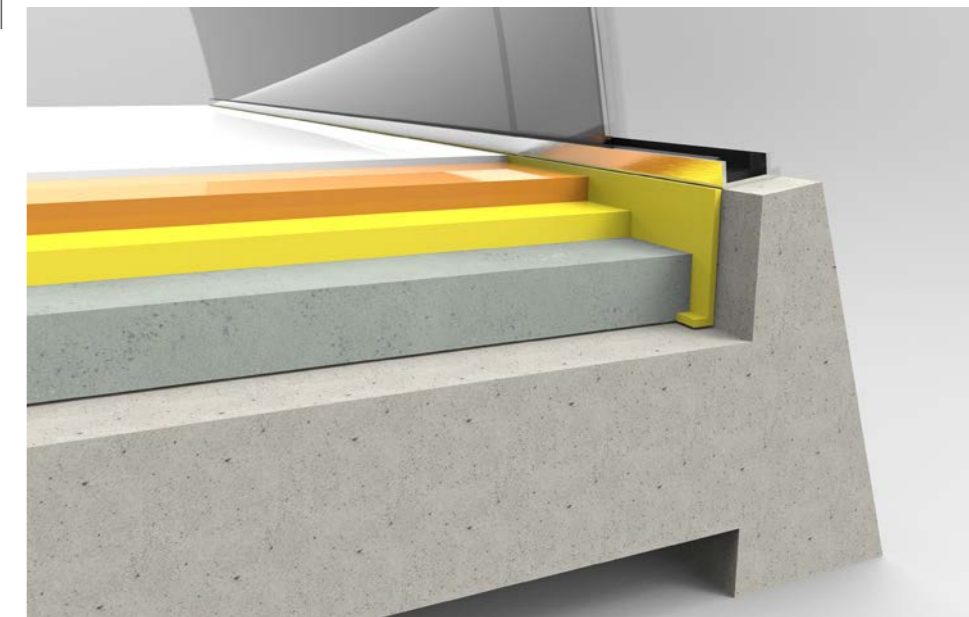
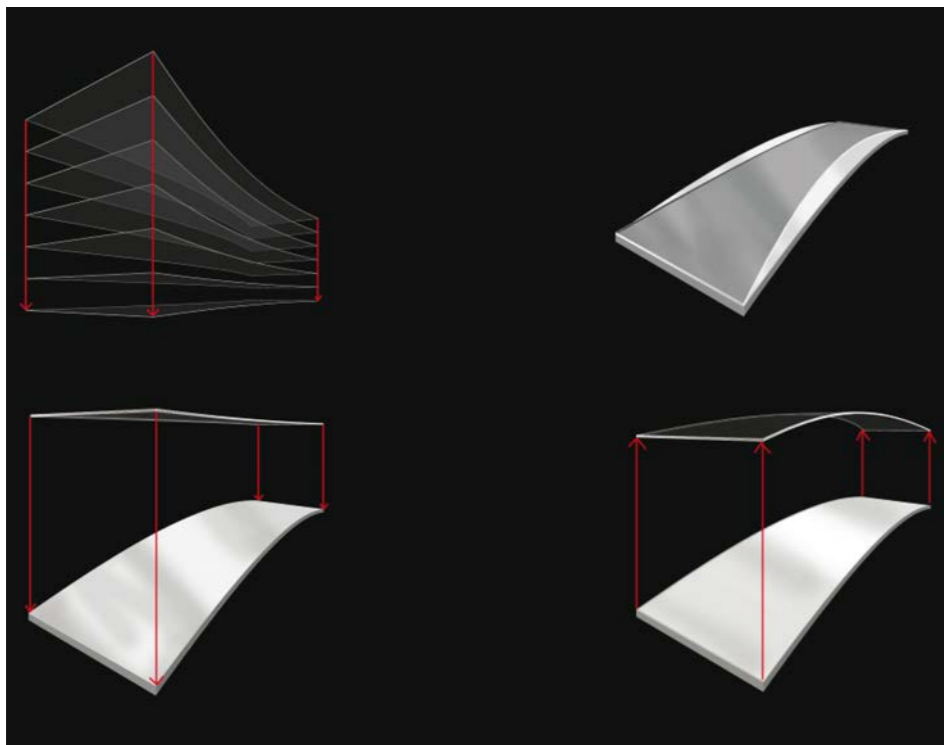




AUSTRIAN FOUNDATION FOR FUTURE RESEARCH

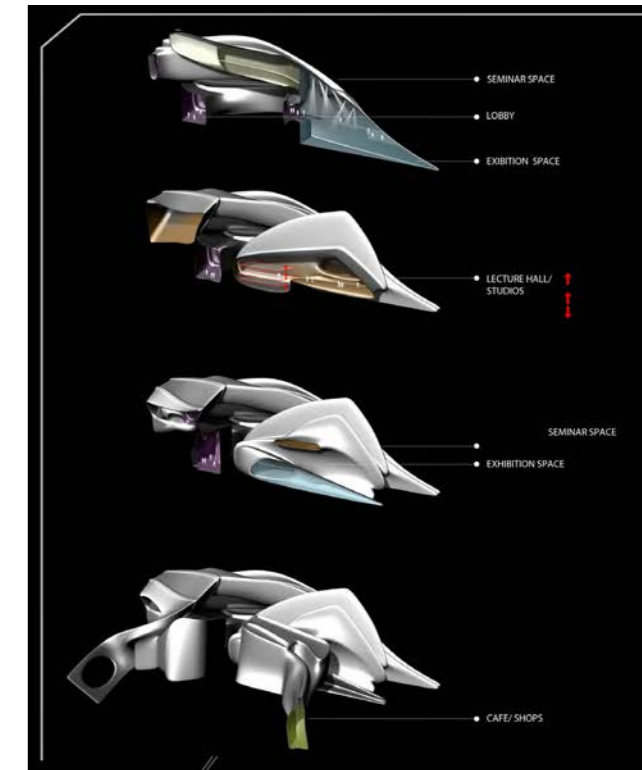
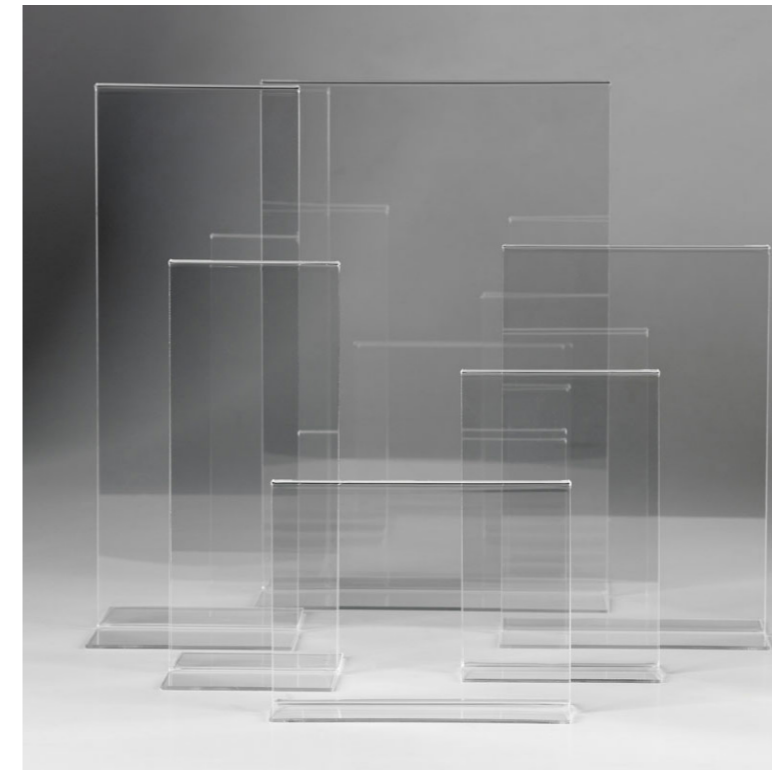
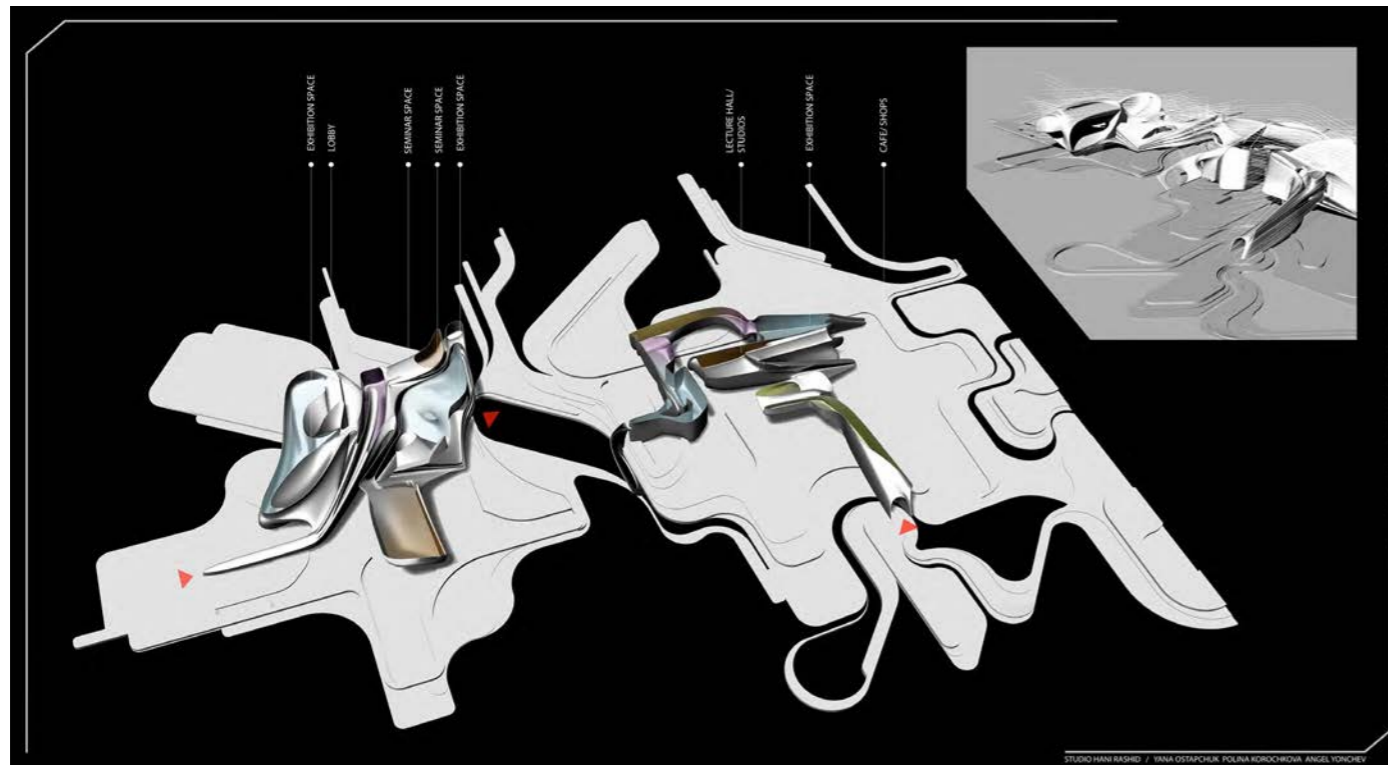


Double plated structure made out of bended 3mm thick glaspanels VSG. Inbetween the panels there is a PVB *Polyvinylbutiral foil that holds the panels together and in case of break the small glasspieces are sticking to the foil securing the people walking underneath.



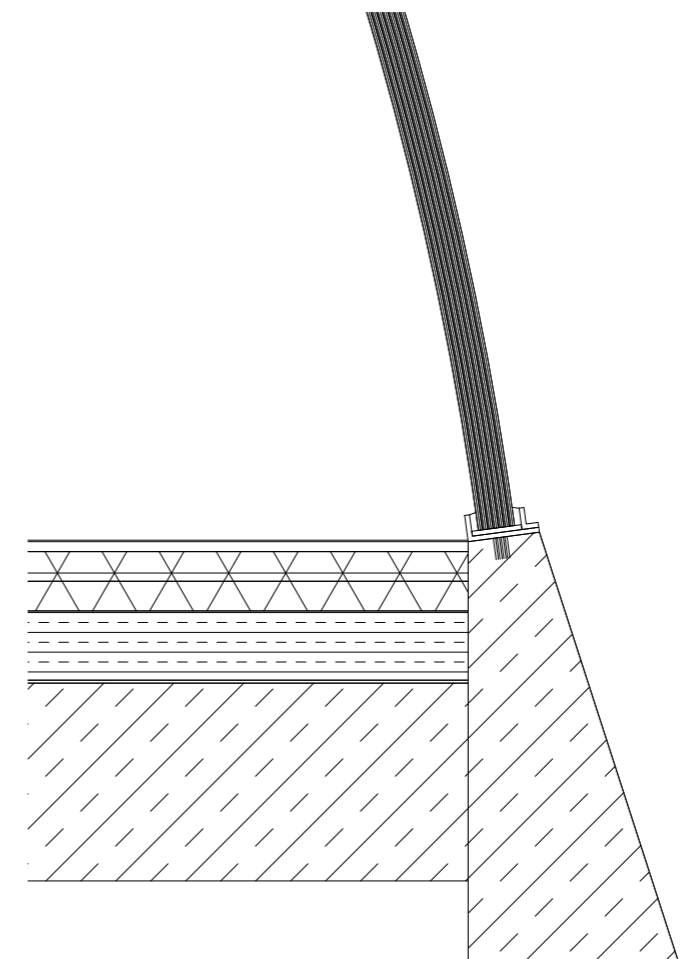
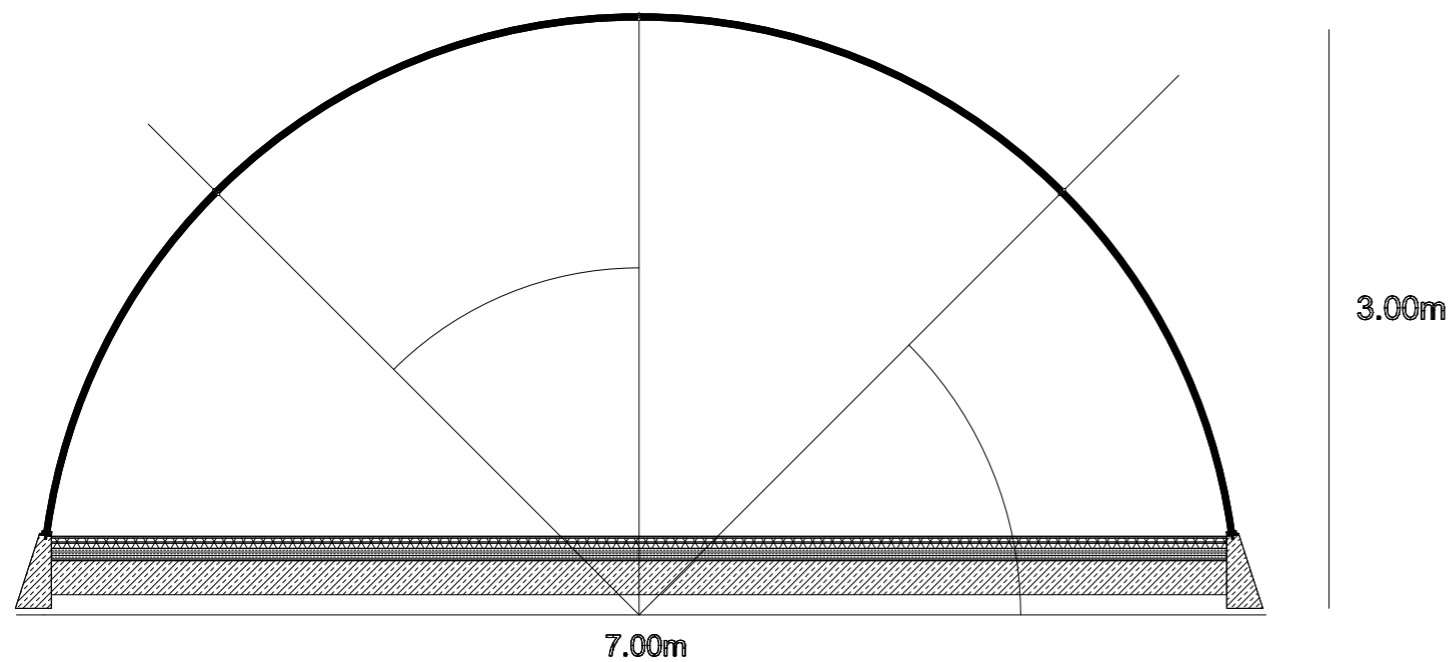
The foundations are made by 30cm thick concrete, Ontop we have a 7.5cm thick Estrich. Inbetween there is a PE Foil that protects the fundament. Following 30mm thick Insulation layer and 30mm thick soundinsulation. The last layer is made out of 15mm rubber finishing in silver. On the side we have a L sized insulation element protecting the side of the fundament from possible extentions in the Estrich to prevent damage.

The glaspanels can be also fabricated to be thinner up to 1.5mm each, but in this case they should be more in count-up to 7 pieces. Important for the structure is that it still contains the PVB foil but the glaspanels themselves should be overlappingly shifted by a half step to create the arch which provides additional additional stiffness and makes the whole construction work as one piece to transport the forces effortlessly in the ground



The studied part of the building is a narrow entrance hall in the south side of the building which then leads into cafe areas and exhibition halls.

The multiple sections through the building show the program but also give a general sense of where the glass structure might be. The yellow area in the bottom is the location of the section showed below.

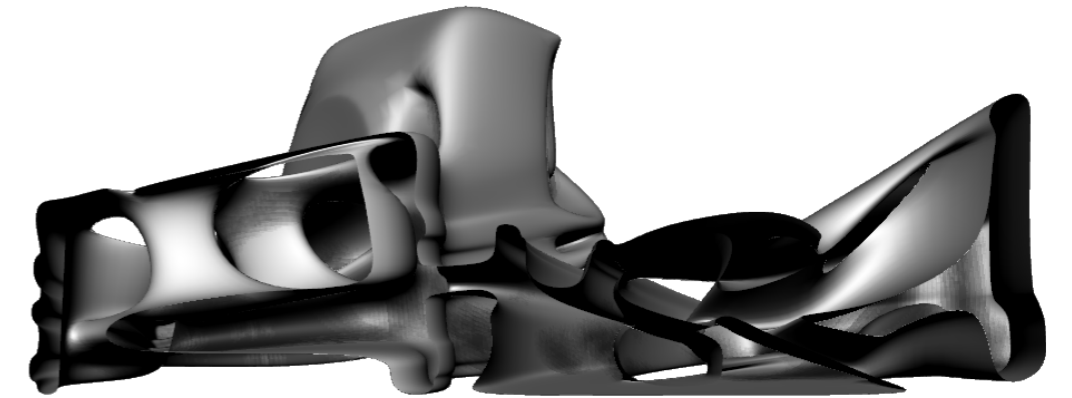
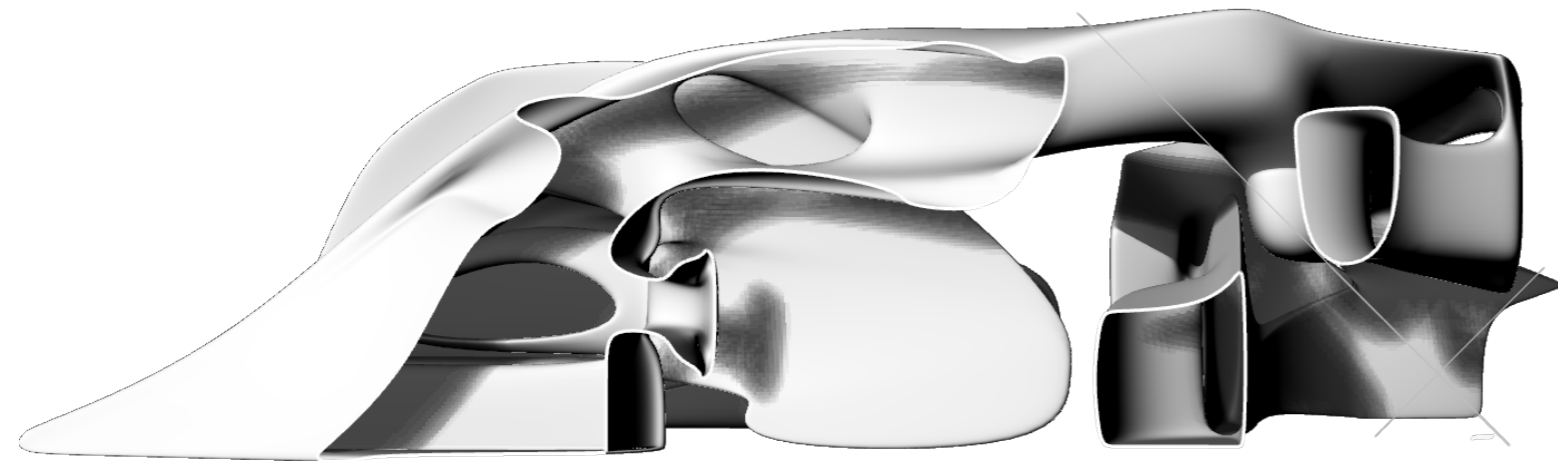


The foundation follows the direction of the forces that have to be led into the ground. The glass panels behave as a singular element that ends up in a C shape steel boot that is screwed to the foundation with bolts. The foundation itself has to be lowered down at least 50cm below the ground surface so the prevention from ice crystals in winter is guaranteed. In case the inside spaces have to be heated there is the possibility to put heating pipes in the ground that spray hot air up the direction of the glass.

The main entrance is an arch that has a 7m span and 3 meters high. The shape resembles a perfect arch, part of a half circle.

SECTION 1

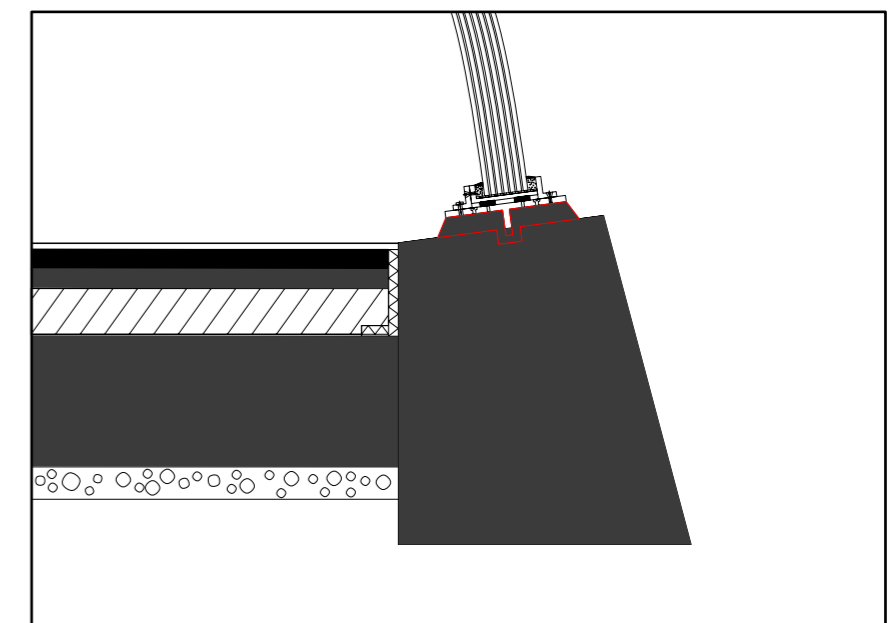
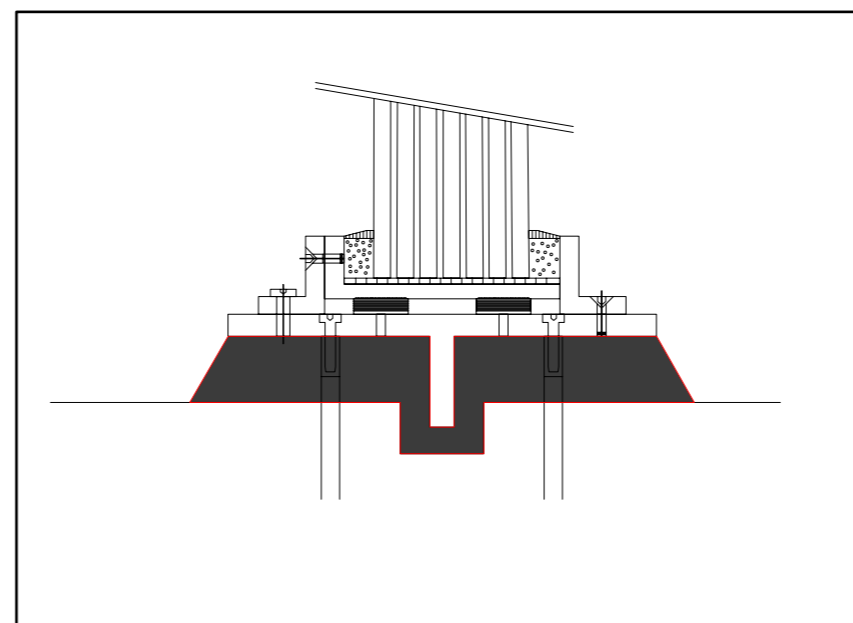
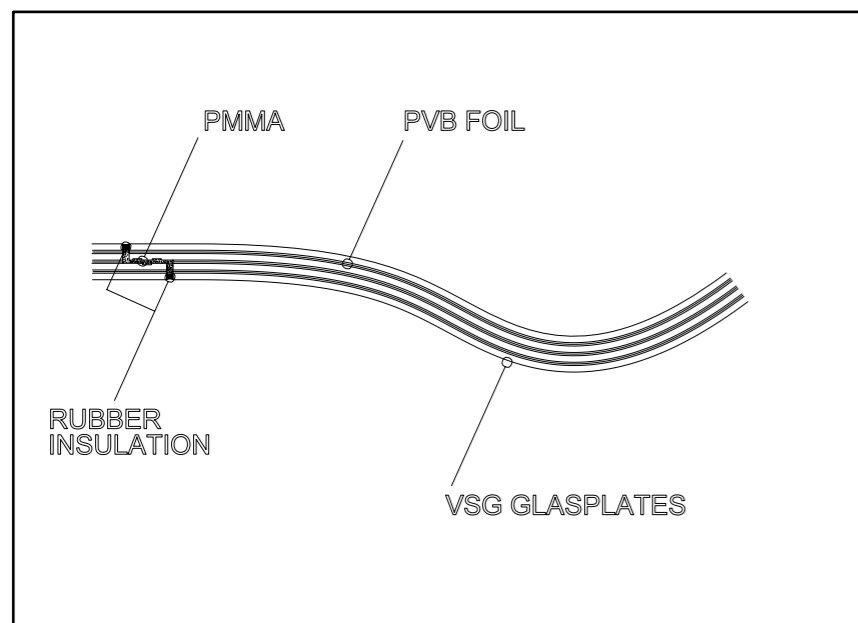
SECTION 2



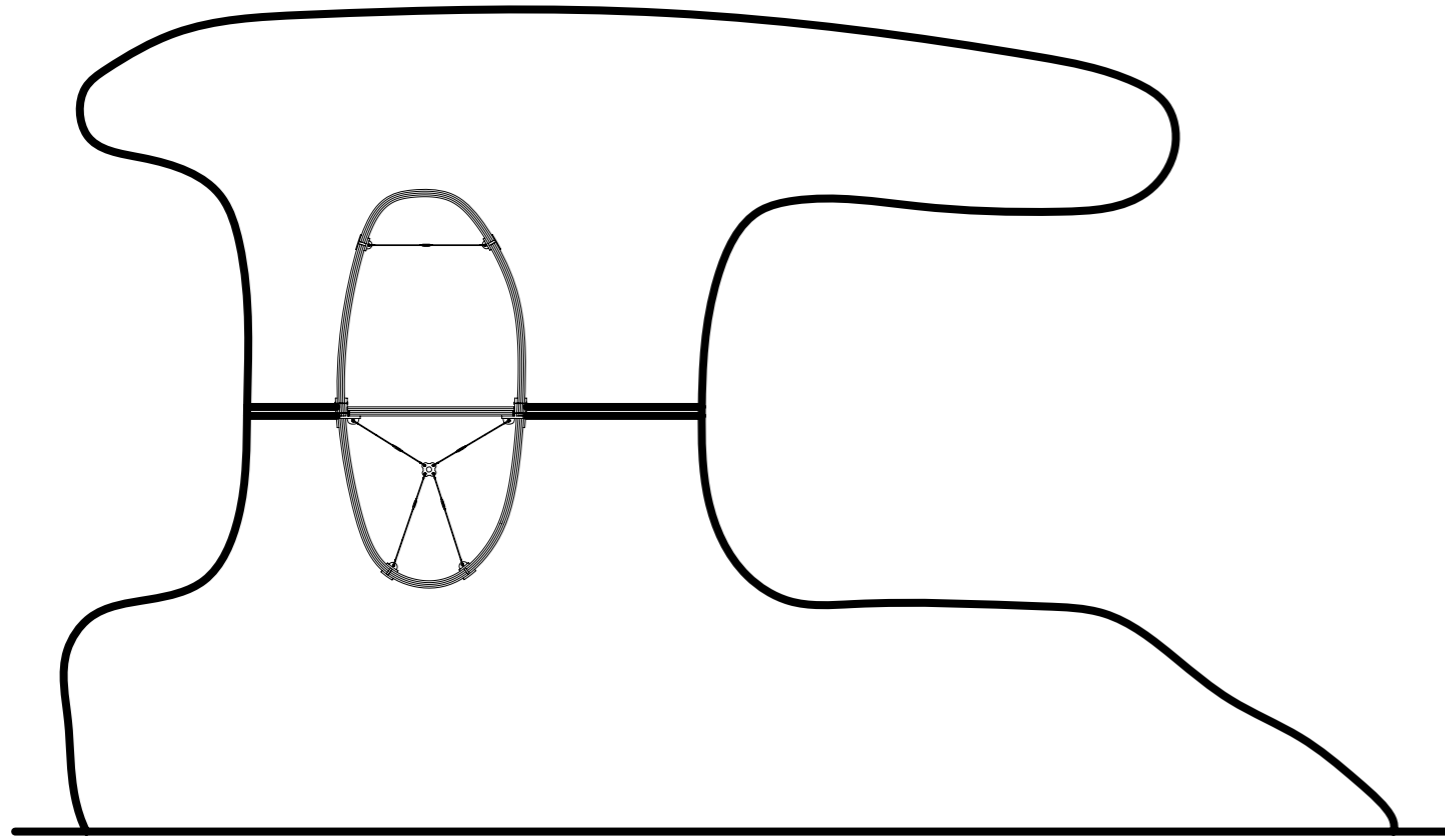
DETAIL 1

DETAIL 2

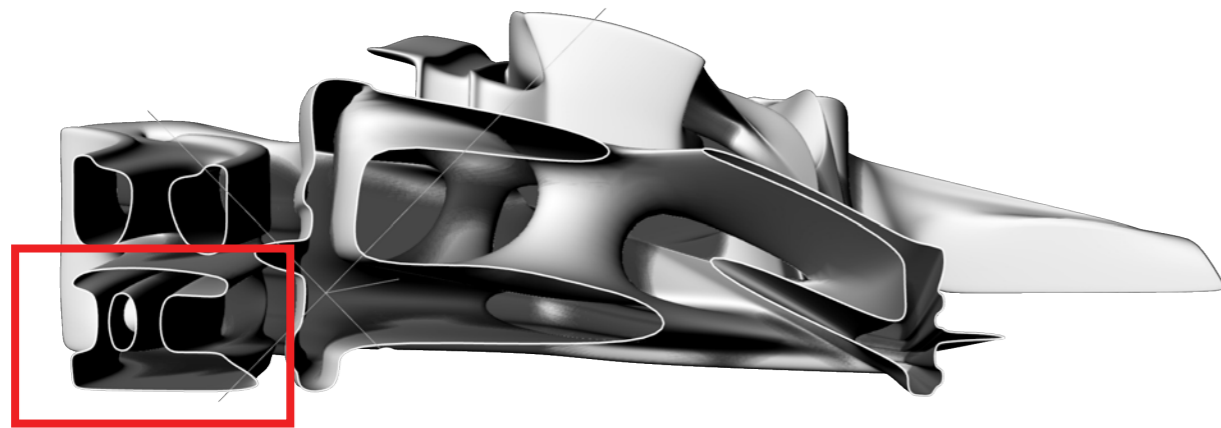
DETAIL 3



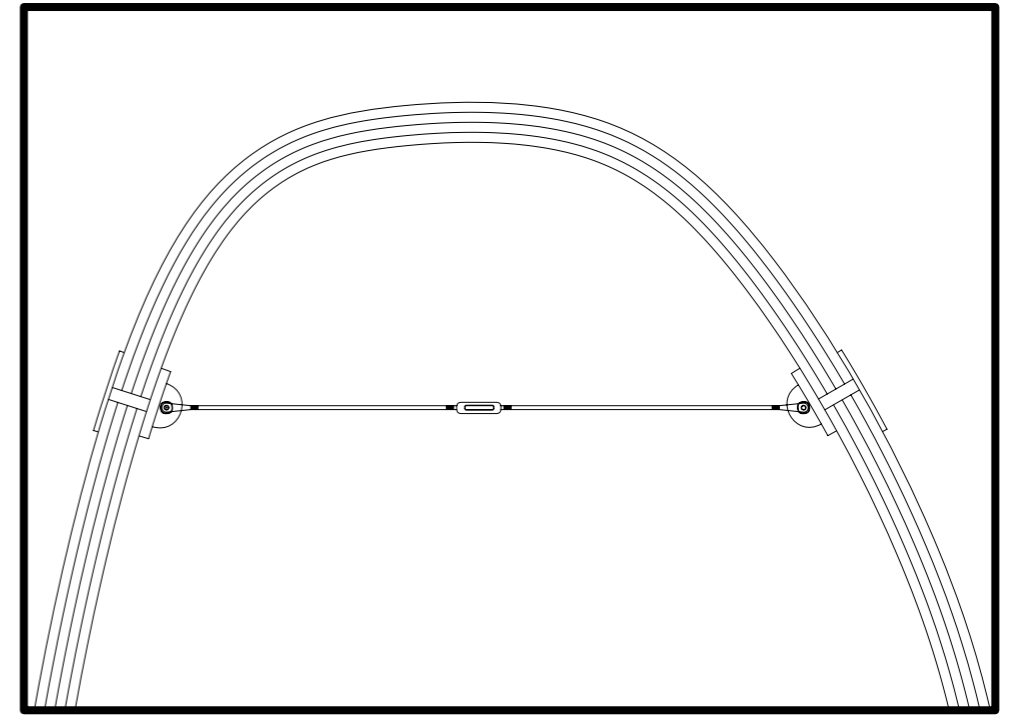
OUTLINE OF THE EGG



LOCATION OF THE DETAIL



DETAIL 4



DETAIL 5

